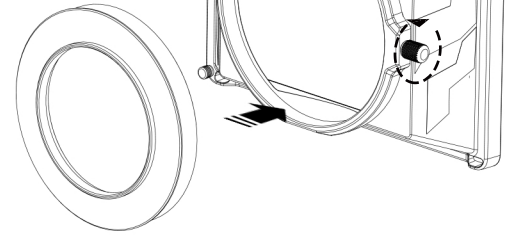


MATTE BOX

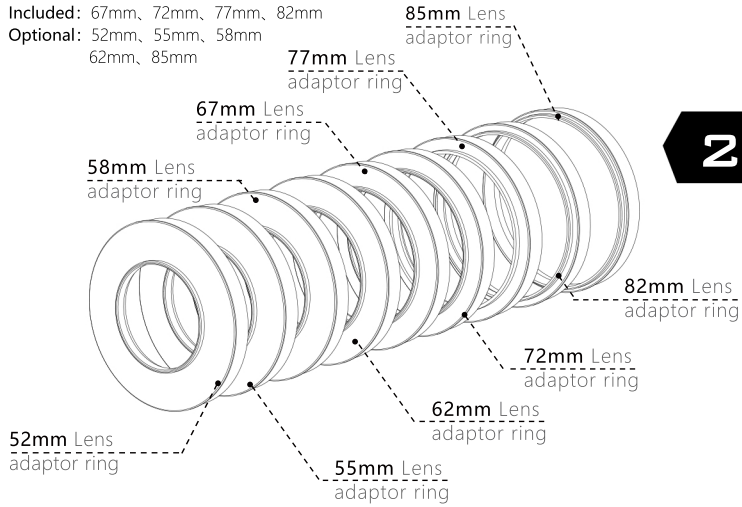
ARM YOUR CAMERA

Detachable French flag. Turn the top knob anti-clockwise, swing the French flag to the required position, then fasten the knob. Compatible with a variety of lens adaptor rings. Turn the screw clockwise to secure the ring.

1

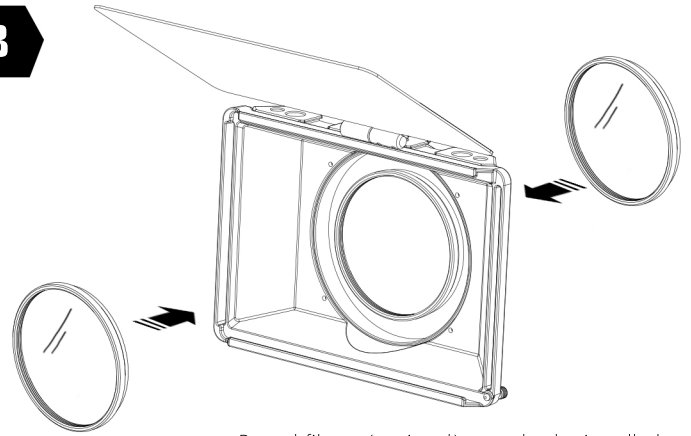


Included: 67mm, 72mm, 77mm, 82mm
Optional: 52mm, 55mm, 58mm, 62mm, 85mm



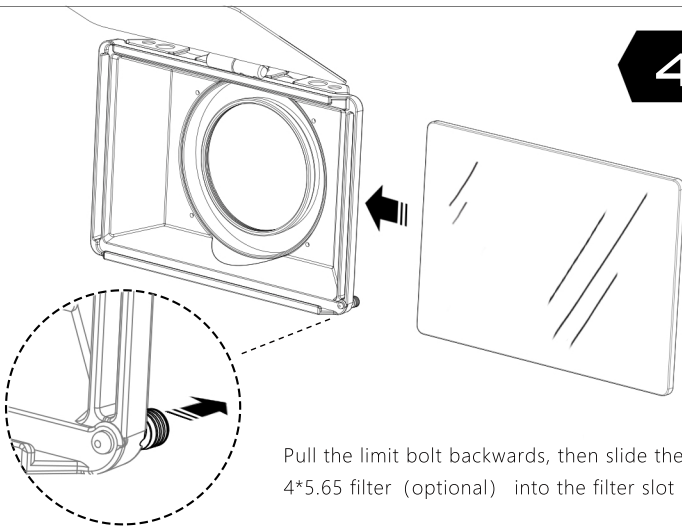
2

3



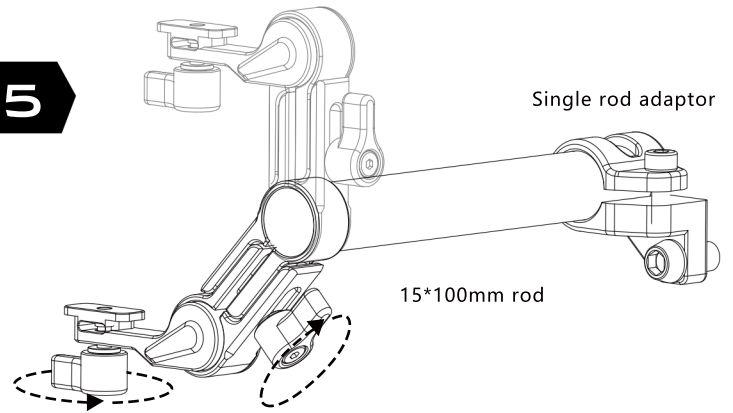
Round filters (optional) can also be installed on both sides of the matte box.

4



Pull the limit bolt backwards, then slide the 4*5.65 filter (optional) into the filter slot

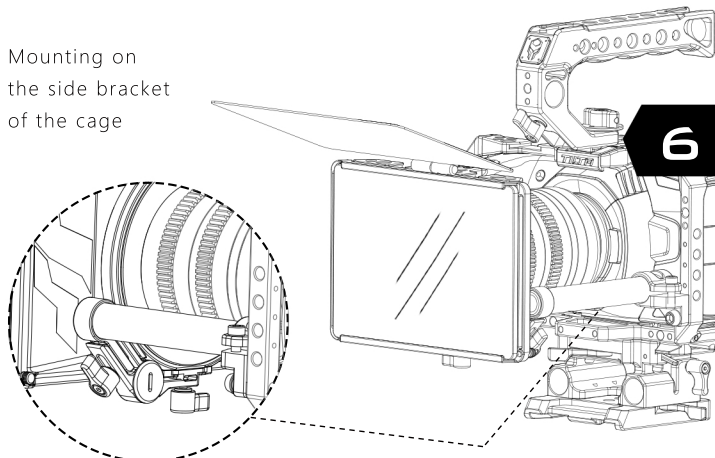
5



Matte box and lens supporter

6

Mounting on the side bracket of the cage



7

Mounting on baseplate

